

KKL2X240VB

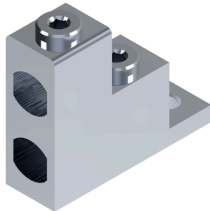
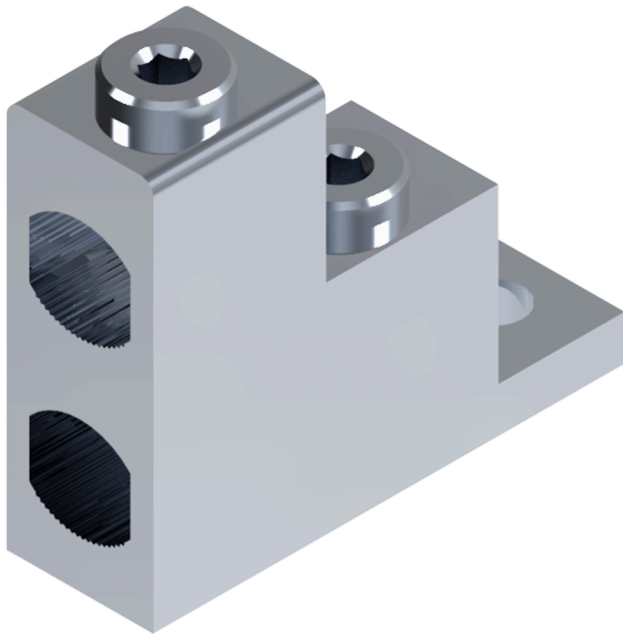
Cable Connectors

- Sales unit = 1 pc
- Suitable for Al/Cu cables
- Material: tin-coated aluminium
- IEC 61238-1 Class A
- Environmentally friendly materials

Conductors per cross section (mm²) table
>>

KKL Installation Instructions >>

Compatibility tables >>



Data subject to change without notice. Always confirm the data is correct from the seller.

Product details

SKU	KKL2X240VB
Al mm²	35-240
Color	Standard
Cu mm²	35-240
E-Number	1942114
EAN	6419410484333
In (Al) (A)	630
In (Cu) (A)	850
Key size	Hex 8
Mounting	Bolt M12
Number of Conductors	2
Package size	3
Torque Al/Cu (Nm)	25 (35-120 mm ²) / 40 (150-240 mm ²)
Un (V)	690
Weight (lb/kg)	0.747 / 0.339

Dimensional drawing

